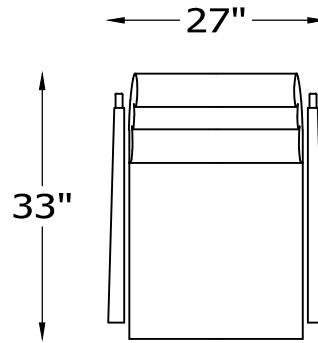
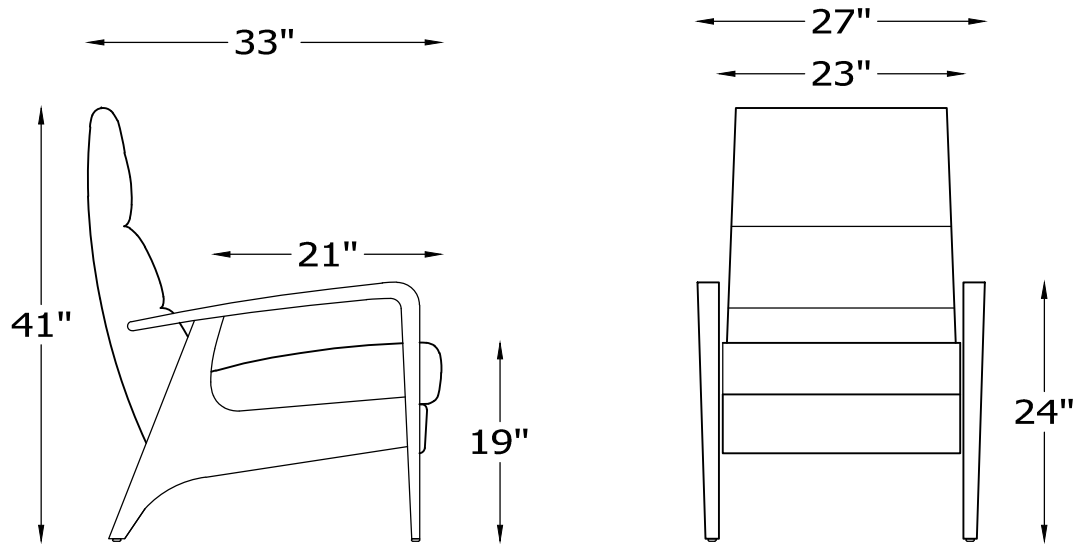


1113 HOLLY RECLINER



111385 RECLINER MANUAL
111385P RECLINER POWER



*NOT TO SCALE

Scale: $\frac{1}{2}'' = 1'-0''$

This schematic is current as 10/15. The company reserves the right to change dimensions and products offered. A more recent schematic may be available for this series. To see the most current schematic, go to <http://lazarind.com>

*NOTE: L or R IS DETERMINED BY FACING AT THE PIECE