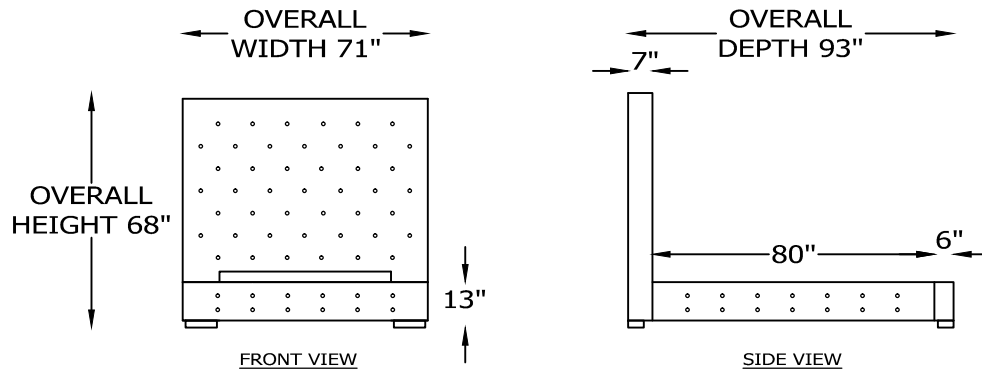
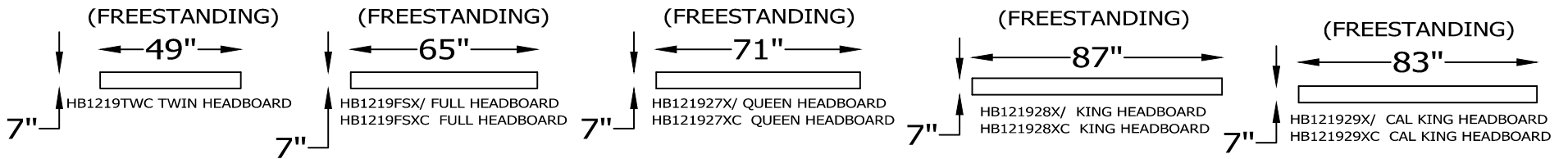
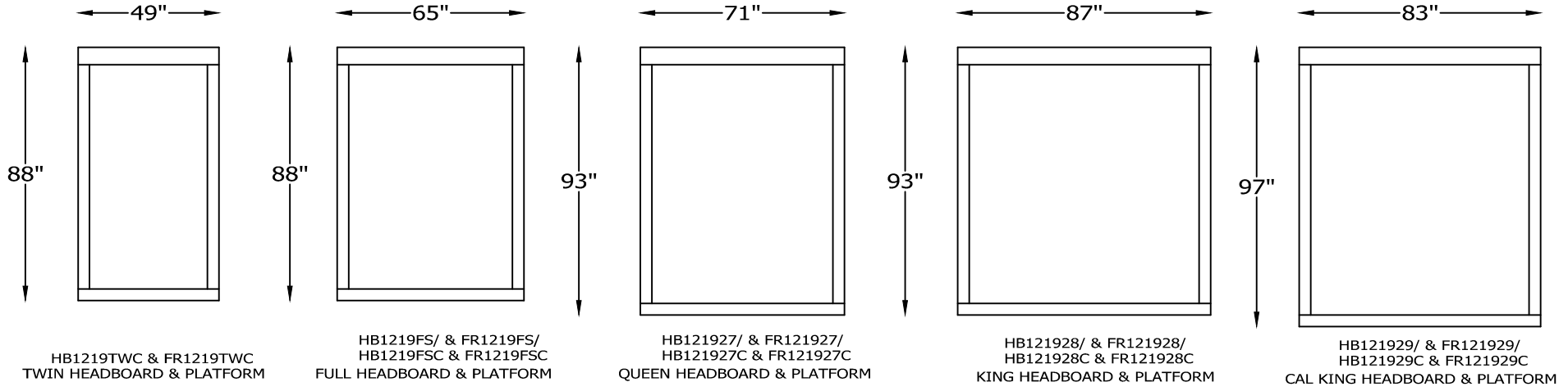


# KRUSTALLOS 1219



\* NOT TO SCALE

- \* / = WOOD LEGS
- \* C = CHROME LEGS
- \* CR-2 CRYSTAL BUTTONS

Scale: 1/4" = 1'-0"

This schematic is current as 8/12 . The company reserves the right to change dimensions and products offered. A more recent schematic may be available for this series. To see the most current schematic, go to <http://lazarind.com>