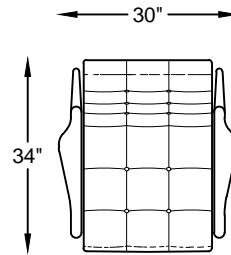
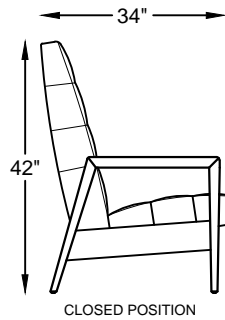


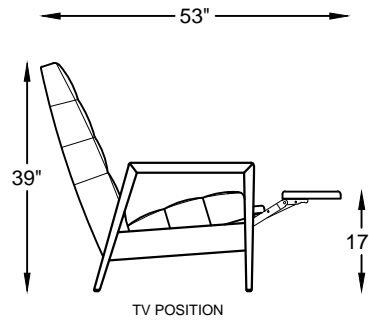
# 964 MAUI RECLINER



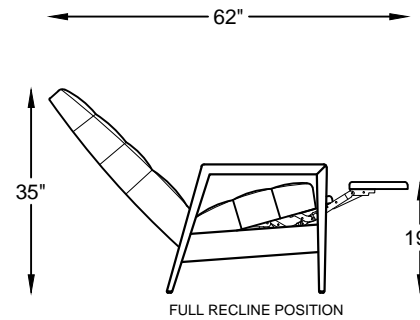
96485/  
RECLINER CHAIR



CLOSED POSITION



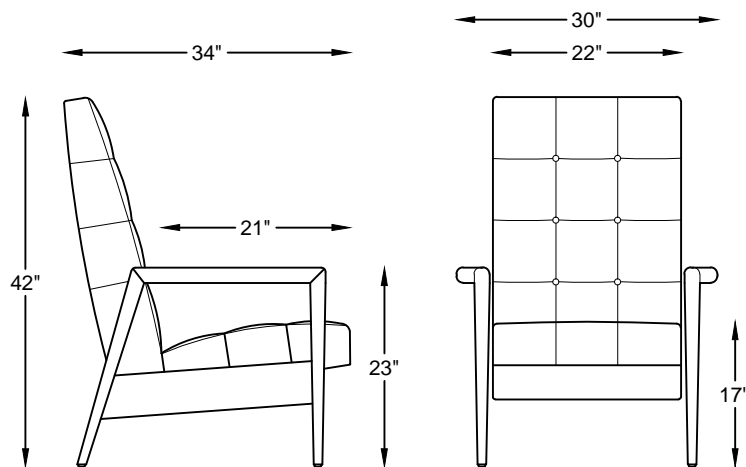
TV POSITION



FULL RECLINE POSITION

RECLINER SIDE VIEW REFERENCE

\*NOT TO SCALE



RECLINER CHAIR

\*NOT TO SCALE

Scale:  $\frac{3}{8}'' = 1'-00''$

This schematic is current as 09/15 . The company reserves the right to change dimensions and products offered. A more recent schematic may be available for this series. To see the most current schematic, go to <http://lazarind.com>

\*NOTE: L or R IS DETERMINED BY FACING AT THE PIECE