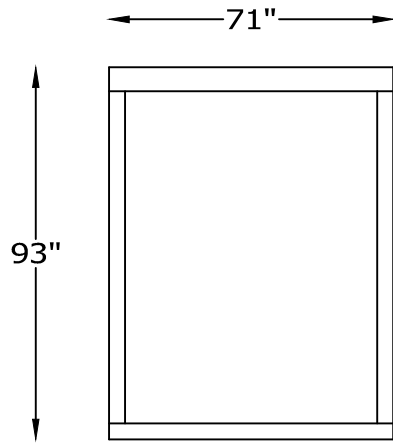
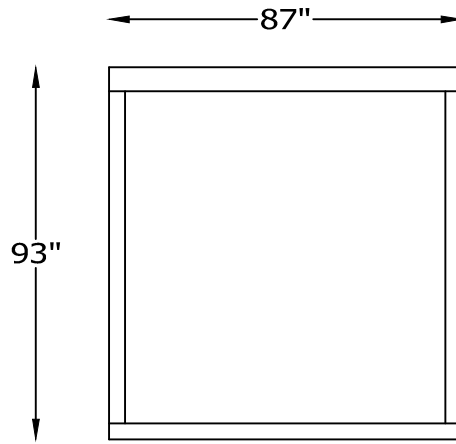


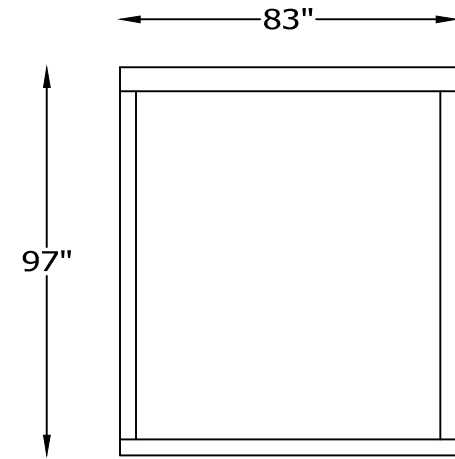
PEQUENO 1094



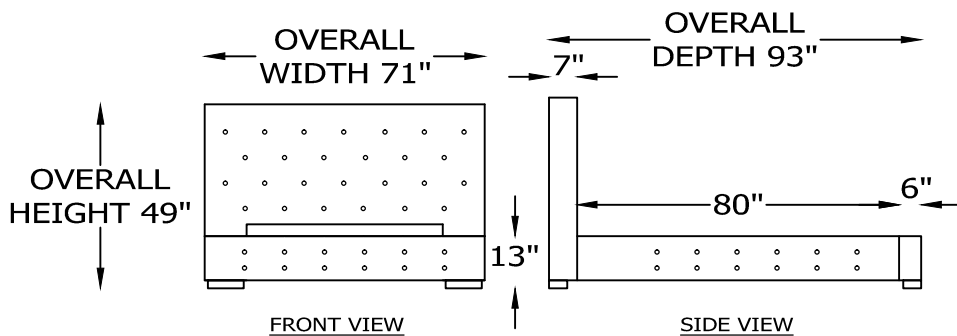
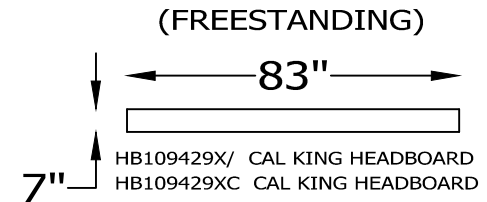
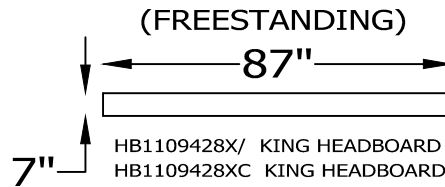
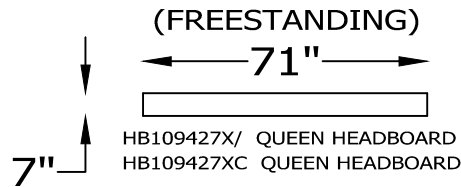
HB109427/ & FR151927/
HB109427C & FR151927C
QUEEN HEADBOARD & PLATFORM



HB109428/ & FR151928/
HB109428C & FR151928C
KING HEADBOARD & PLATFORM



HB109429/ & FR1151929/
HB109429C & FR151929C
CAL KING HEADBOARD & PLATFORM



* NOT TO SCALE

* NOTE: FOR COMPLETE BED, USE HB1094 PEQUENO HEADBORDS & FR1519 PIATTO FOOTRAILS WITH BUTTONS. OR FR1419 KRUSTALLOS II WITH NO BUTTONS.
* / = WOOD LEGS * C = CHROME LEGS
* BUTTON SIZE # 30

Scale: 1/4" = 1'-0"

This schematic is current as 08/12 . The company reserves the right to change dimensions and products offered. A more recent schematic may be available for this series. To see the most current schematic, go to <http://lazarind.com>