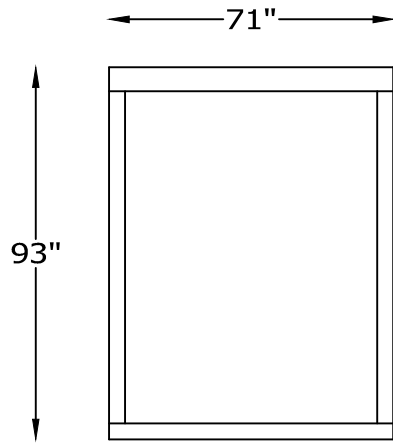
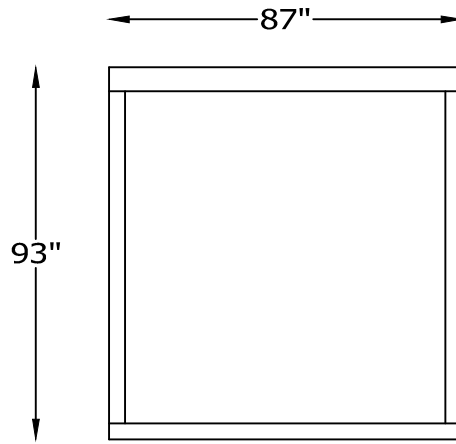


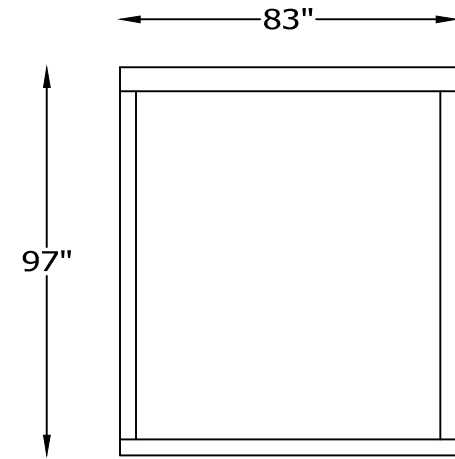
PIATTO 1519



HB151927/ & FR151927/
HB151927C & FR151927C
QUEEN HEADBOARD & PLATFORM

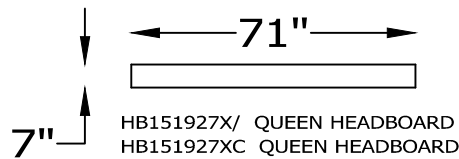


HB151928/ & FR151928/
HB151928C & FR151928C
KING HEADBOARD & PLATFORM



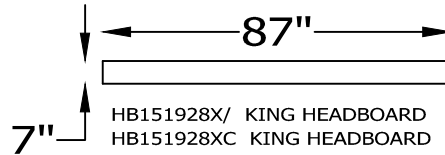
HB151929/ & FR151929/
HB151929C & FR151929C
CAL KING HEADBOARD & PLATFORM

(FREESTANDING)



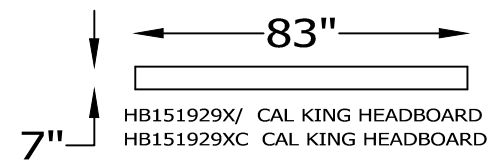
HB151927X/ QUEEN HEADBOARD
HB151927XC QUEEN HEADBOARD

(FREESTANDING)

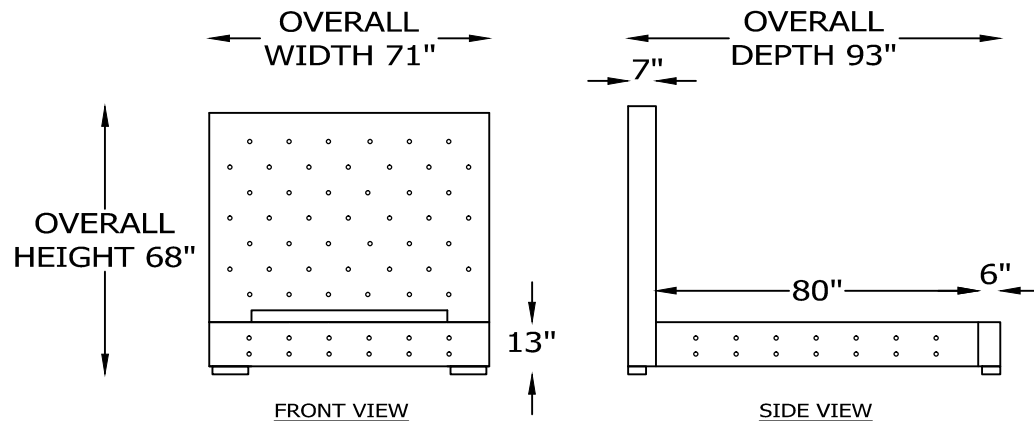


HB151928X/ KING HEADBOARD
HB151928XC KING HEADBOARD

(FREESTANDING)



HB151929X/ CAL KING HEADBOARD
HB151929XC CAL KING HEADBOARD



FRONT VIEW

SIDE VIEW

* NOT TO SCALE

- * / = Wood Legs
- * C = Chrome Legs
- * Button Size # 30

Scale: 1/4" = 1'-0"

This schematic is current as 8/12. The company reserves the right to change dimensions and products offered. A more recent schematic may be available for this series. To see the most current schematic, go to <http://lazarind.com>

*NOTE: L or R IS DETERMINED BY FACING AT THE PIECE